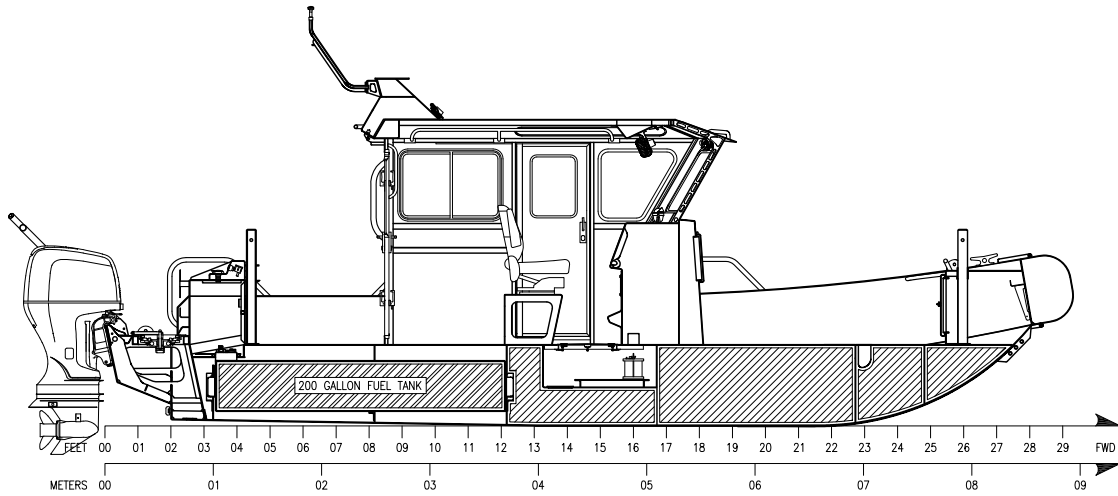
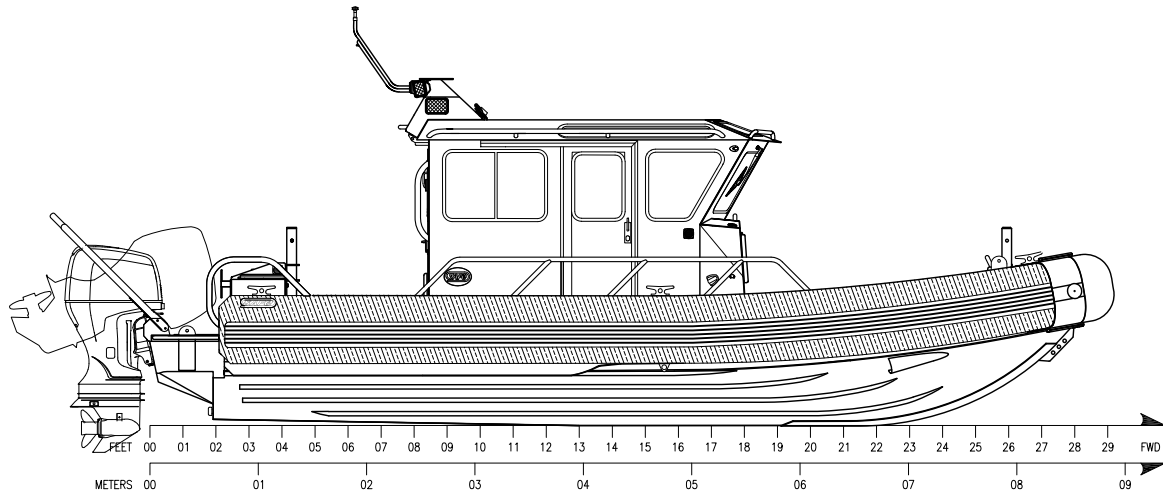


INBOARD PLAN VIEW



INBOARD PROFILE



OUTBOARD PROFILE

SPECIFICATIONS

LOA	29'-4" [8.9]
BEAM	10' [3.1]
HEIGHT ON TRAILER	12' [3.6]
DEADRISE	25"
FUEL	200 GALLONS [757 LITERS]
MAX HP	600 [441.3 kW]

SHOWN WITH OPTIONAL ENGINES. SPECIFICATIONS ARE APPROXIMATES ONLY AND SUBJECT TO CHANGE.

THIS DOCUMENT DISCLOSES SUBJECT MATTER IN WHICH SAFE BOATS INTL., LLC. HAS PROPRIETARY RIGHTS. THE INFORMATION AND DESIGN DISCLOSED HEREIN WERE ORIGINATED BY AND ARE THE PROPERTY OF SAFE BOATS INTL., LLC. NEITHER RECEIPT NOR POSSESSION THEREOF CONFERS ANY RIGHT TO REPRODUCE, COPY, OR DISCLOSE THE DOCUMENT, ANY PART THEREOF, ANY INFORMATION CONTAINED THEREIN OR TO CONSTRUCT PRODUCTS FROM IT.



GENERAL ARRANGEMENTS

SAFE BOATS DRAWING NO.	REV
329 - SAFE 27 WAC	-
SCALE:	SHEET 1 OF 1